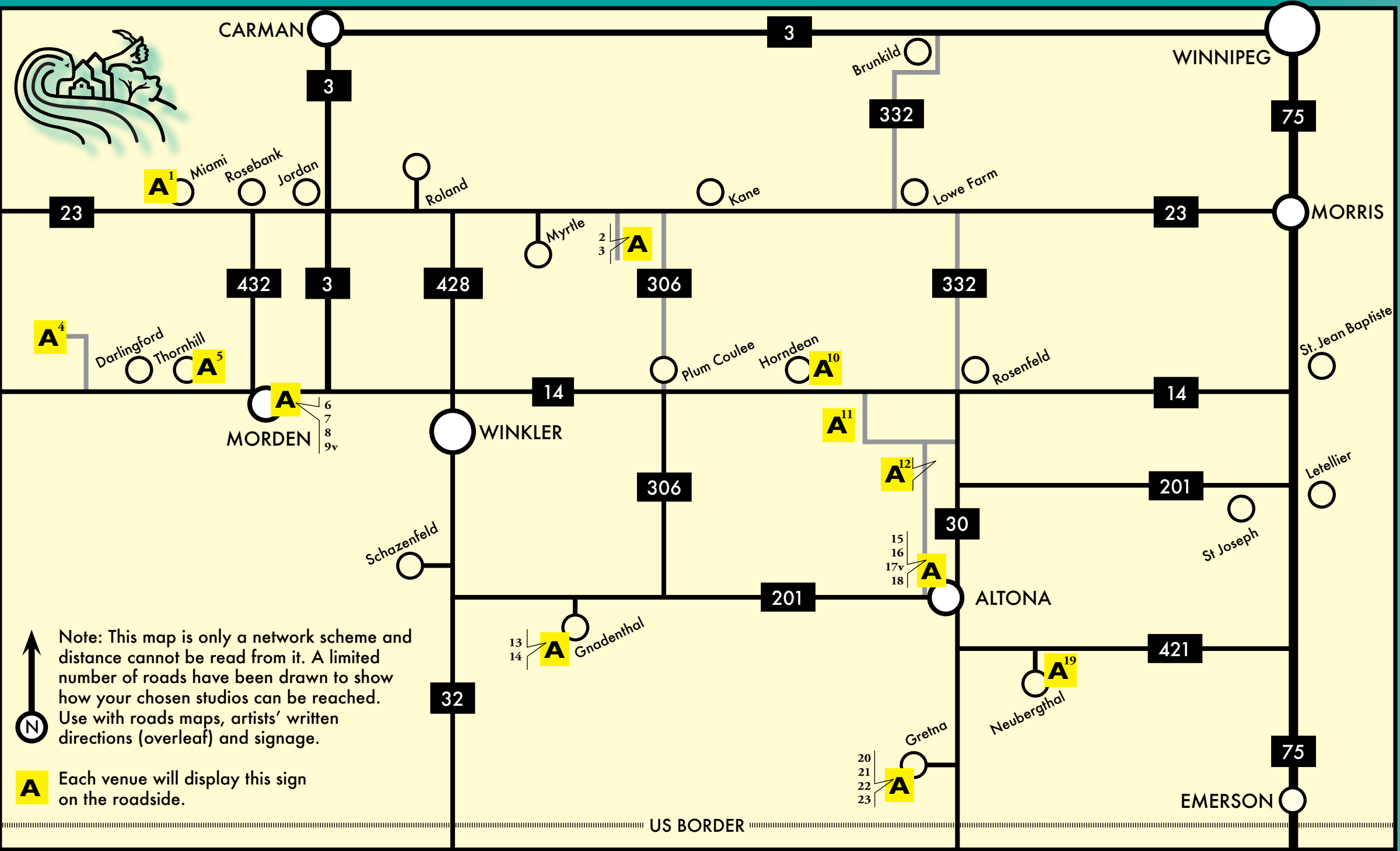




# Pembina Valley Artists STUDIO TOUR 2009



Note: This map is only a network scheme and distance cannot be read from it. A limited number of roads have been drawn to show how your chosen studios can be reached. Use with roads maps, artists' written directions (overleaf) and signage.

**A** Each venue will display this sign on the roadside.

## Come and Enjoy our 5th Season

### ALTONA AND AREA

- A15 Jill Ferris - Batik & Painting
- A16 Ken Loewen - Metal Sculpture
- A17v Gallery in the Park, Altona - Exhibition venue
- A18 The Barn that Harms Built - Light Lunches, 362 Railway Street, Altona
- A12 Barb Wiebe (Northwind Clayworks) - Pottery
- A11 Gail Sawatzky - Painting
- A19 Margruite Krahn (The Loft) - Painting

### GNADENTHAL

- A13 Karen Schellenberg - Pottery
- A14 Sheila Bergen - Painting @ Karen Schellenberg's

### GREटना

- A20 Art Harder (Art's Gallery) - Painting

- A21 Greg Dimler - Painting & Photography @ MCI Buhler Hall, Gretna
- A22 Ben Fehr - Painting @ MCI Buhler Hall, Gretna
- A23 Lloyd Letkeman - Painting @ MCI Buhler Hall, Gretna

### MIAMI

- A1 Leo McLeod (Phibios Boats) - Handbuilt Boats

### MORDEN AND WEST

- A4 Susan Crawford-Young (Manitou Mudworks) - Painting
- A6 Bert Goertzen - Woodwork
- A7 Margie Hildebrand - Painting
- A8 Laverne Lovatt - Woodturning
- A9v Pembina Hill Arts Centre, Morden - Exhibition venue
- A5 Pamela Yorke-Hardy - Watercolour and Drawing

### PLUM COULEE AREA

- A10 Jake Goertzen - Sculpture

- Light Lunches @ Jake Goertzen's, Horndean
- A2 Jennifer Hildebrand (Jen's Pottery) - Pottery
- A3 John Wiebe - Painting @ Jen's Pottery

## Pembina Valley Welcomes You!

Explore the landscape of the Pembina Valley and enjoy a unique art experience. This self-guided studio tour enables visitors to meet some of the Valley's artists right in their own creative spaces. Cover the entire tour over the weekend or sample some of our artists' studios in one day.

Event Co-ordinators: Pembina Hills Art Centre, Morden  
Tel: 204 822 6026, email: pembhill@mts.net or  
www.pembinahillsarts.com and Through the Artist's Eye, Altona.

*Saturday September 12  
and  
Sunday September 13  
10:00am to 6:00pm*

## ALTONA AND AREA

**A<sup>15</sup>**

### Jill Ferris • Batik & Painting

Located at 117 First Street SE, Altona.  
www.jillferrisart.com  
204 324 9756



### Barb Wiebe • Pottery

Northwind Clayworks, from PTH 14 (at Rosenfeld), turn south onto PTH 30. From PTH 30, turn west onto Roseville Road. Travel 1 mile west and then south for ¼ mile.  
204 324 6949



**A<sup>12</sup>**

### Gail Sawatzky • Painting

From intersection of PTH 14 & 30 at Rosenfeld, travel 2 miles west to Road 6W. Turn south onto Road 6W, travel 1½ miles. Look for the large stone that identifies Sawatzky Farms.  
204 324 6364



**A<sup>11</sup>**



### Dine at "The Barn that Harms Built"

362 Railway Street S, Altona. From Centre Avenue, turn south at the railway crossing. Barn and yard tour are open to all. **Reservations are required for food services.**  
204 324 8265

**A<sup>18</sup>**



### Margruite Krahn • Painting

The Loft, Neuberghthal. Travel 2 miles south of Altona on PTH 30. Turn east onto PR 421 to Neuberghthal. In Neuberghthal, turn south, look for signs.  
www.margruitekrahn.ca  
204 324 1612

**A<sup>19</sup>**

### Art Harder • Painting

Art's Gallery, 554 Montcalm Ave, Gretna. Enter Gretna from PTH 30, turn south on 7th Street, go one block and turn west onto Montcalm.  
www.artharder.com  
204 327 5345

**A<sup>20</sup>**



## GNADENTHAL

### Karen Schellenberg • Pottery

Gnadenthal, 6 miles south of Winkler on PTH32, then 6 miles east on PR 201, on Yard 91.  
204 829 3843



**A<sup>13</sup>**

### Sheila Bergen • Painting

Hosted by Karen Schellenberg Gnadenthal, (see directions above).  
204 829 3843



**A<sup>14</sup>**

## GRETNA

### Greg Dimler • Painting & Photography

Mennonite Collegiate Institute, Buhler Hall, 466 Mary Street, Gretna. At the north end of 9th Street  
204 327 5891

**A<sup>21</sup>**



### Ben Fehr • Painting

Mennonite Collegiate Institute, Buhler Hall, 466 Mary Street, Gretna. At the north end of 9th Street  
204 327 5891

**A<sup>22</sup>**

### Lloyd Letkeman • Painting

Mennonite Collegiate Institute, Buhler Hall, 466 Mary Street, Gretna. At the north end of 9th Street.  
204 327 5891

**A<sup>23</sup>**



## MIAMI

**A<sup>1</sup>**

### Leo McLeod • Handbuilt Boats

Phibios Boats, 433 Kerby Avenue, Miami. Travel PTH 23 to Miami. Turn north into community at Miami Railway Station. North to second STOP sign. Turn east onto Kerby Avenue and continue to 4-way STOP. NE corner of intersection across from United Church.  
204 435 2835



## MORDEN AND WEST

### Pembina Hills Arts Centre

352 Stephen Street, Morden. Work of various artists on display.  
www.pembinahillsarts.com  
204 822 6026



**A<sup>9v</sup>**



### Bert Goertzen • Woodwork

5 Eagle Crescent. Go west on PTH 3 through Morden, past Co-op store. Cross the railway track and turn right at the first street on the right-hand side (Eagle Drive), continue onto Eagle Crescent on left-hand side.  
204 822 4558

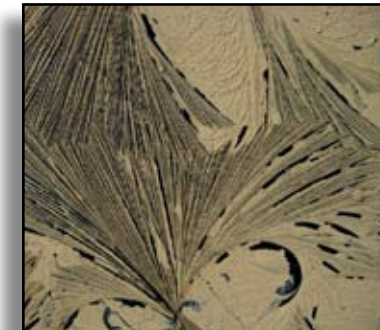
**A<sup>6</sup>**



### Margie Hildebrand • Painting

404 10th Street, Morden. Two blocks north of PTH 3 (Thornhill Street) on NW corner of 10th and Gilmour Streets. Take path to back of house.  
204 822 6679

**A<sup>7</sup>**



**A<sup>5</sup>**

### Pamela Yorke-Hardy and Various Artists • Multimedia

Beneath the Oaks Gallery and Gift Shop, 40 Valley Street, Thornhill. From PTH 3, west of Morden, turn north into the community of Thornhill.  
204 822 3380



**A<sup>8</sup>**



### Laverne Lovatt • Woodturning

380 19th Street, Morden. From PTH 3 (Thornhill Street) turn north onto 19th Street.  
204 822 3557

## PLUM COULEE AREA

### Jake Goertzen • Sculpture

Village of Horndean From PTH 14, turn north onto Road 9W. Turn onto service road, travelling 150 yards to studio.  
204 829 7800

LIGHT LUNCH, DESSERT & BEVERAGES AVAILABLE.

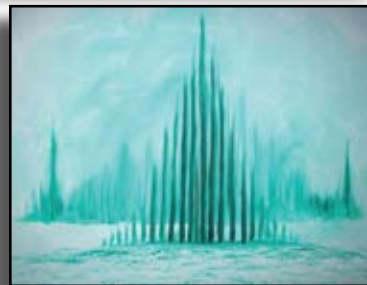
**A<sup>10</sup>**



### Jennifer Hildebrand • Pottery

Jen's Pottery. From PTH 23 between Kane and Myrtle, turn south onto Road 15W. Travel ¾ mile to the first farmyard.  
204 343 2350

**A<sup>2</sup>**



### John Wiebe • Painting

Hosted by Jennifer Hildebrand, at Jen's Pottery, (see directions above).  
204 343 2350

**A<sup>3</sup>**